

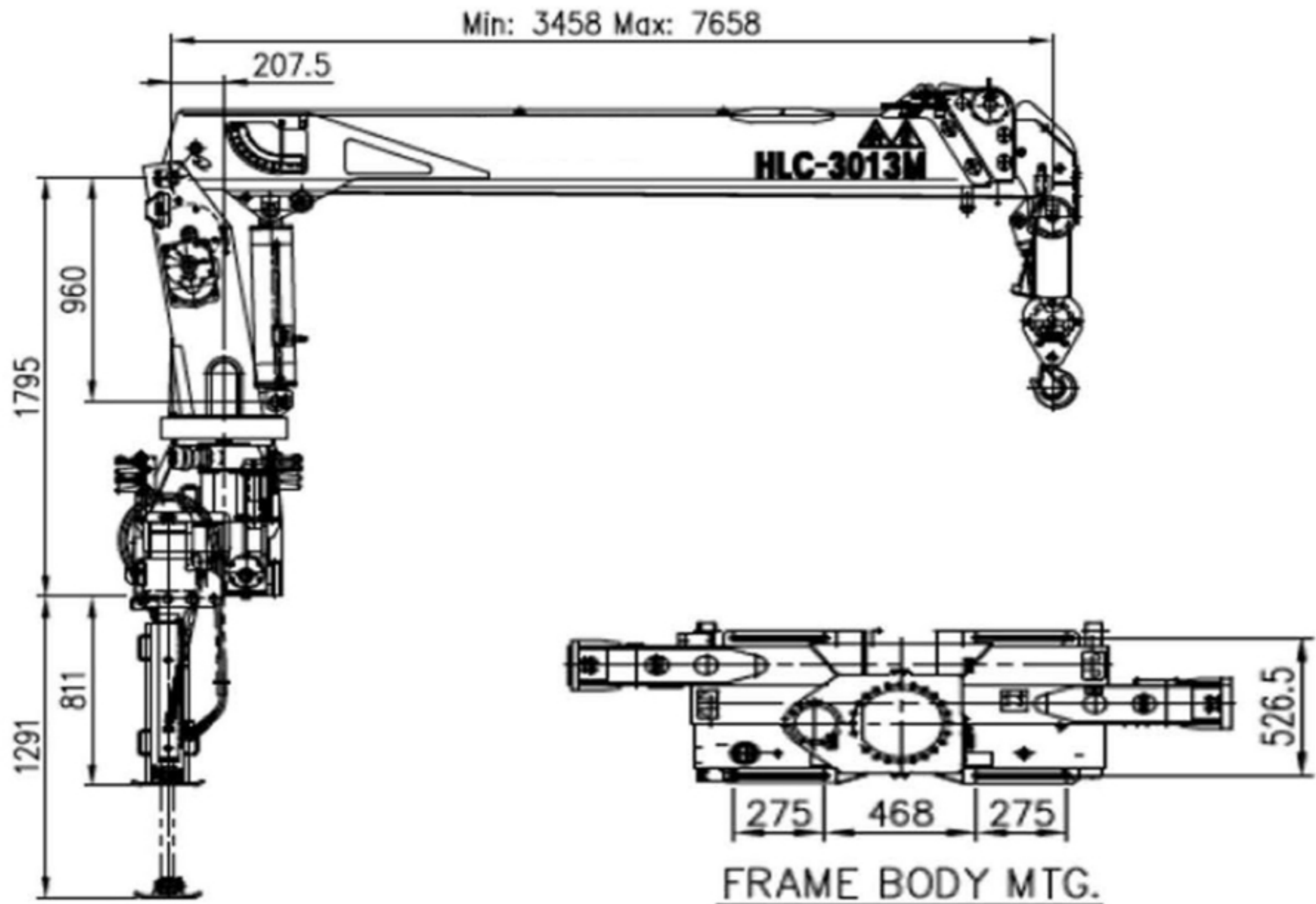
**MODEL HLC-3013M**





# ARMAMENT LIFTER





## SPECIFICATIONS

### PERFORMANCE

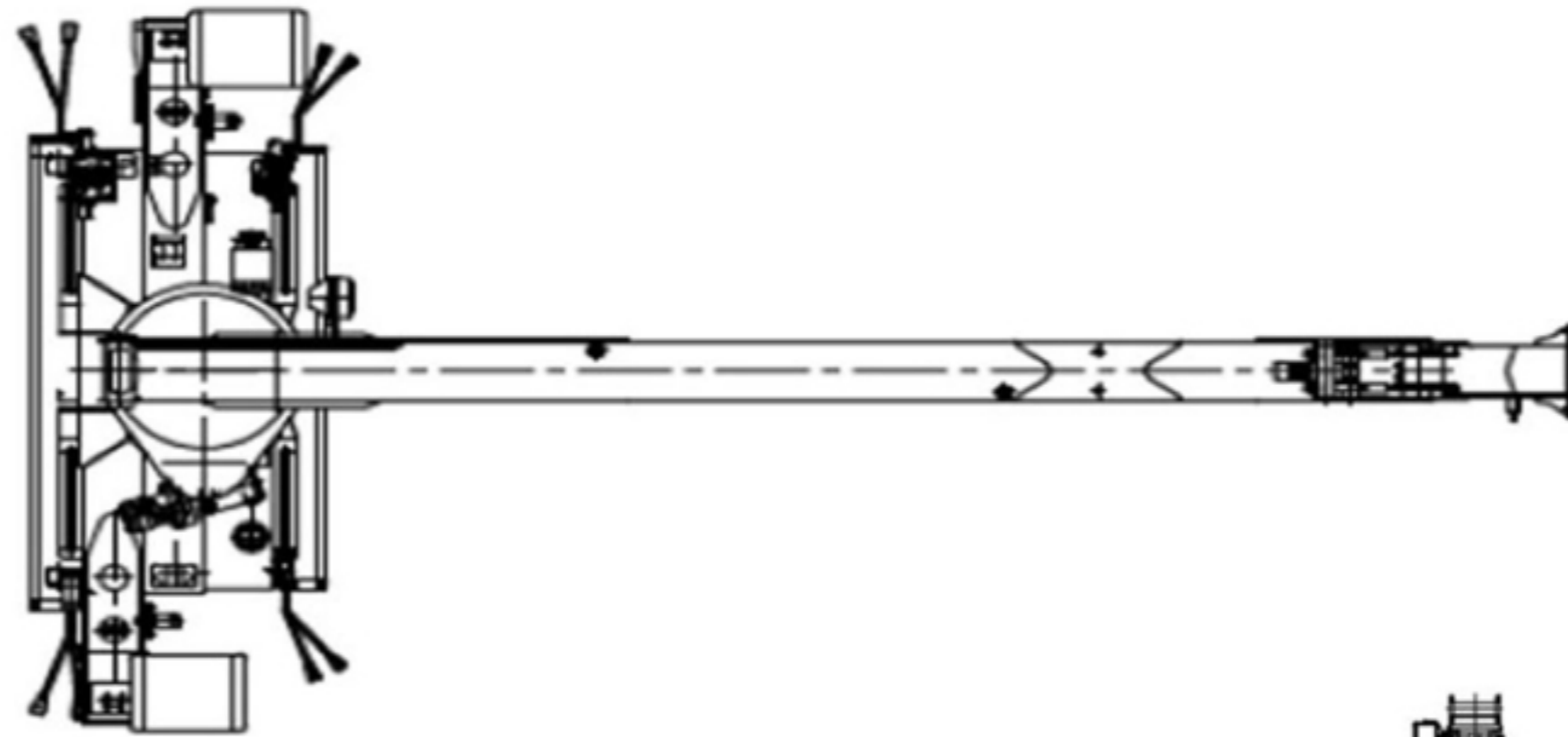
- ❖ MAX LIFTING CAPACITY: 8.0 (TON/M)
- ❖ MAX LIFTING HEIGHT : 9.5 (M)
- ❖ MAX WORKING RADIUS : 7.5 (M)
- ❖ MAX WORK HEIGHT : 9.5 (M)
- ❖ CRANE CAPACITY : 3.2 (TON)
- ❖ LIFTING CAPACITY : 3,200 KG/2.5M

### BOOM

- ❖ SHAPE : HEXOGONAL
- ❖ SECTION : 03
- ❖ ANGEL : 0° - 80°

### BODY

- ❖ SLEWING TYPE : WORN GEAR REDUCTION
- ❖ SLEWING ANGLE : 360°
- ❖ SLEWING SPEED : 2RPM

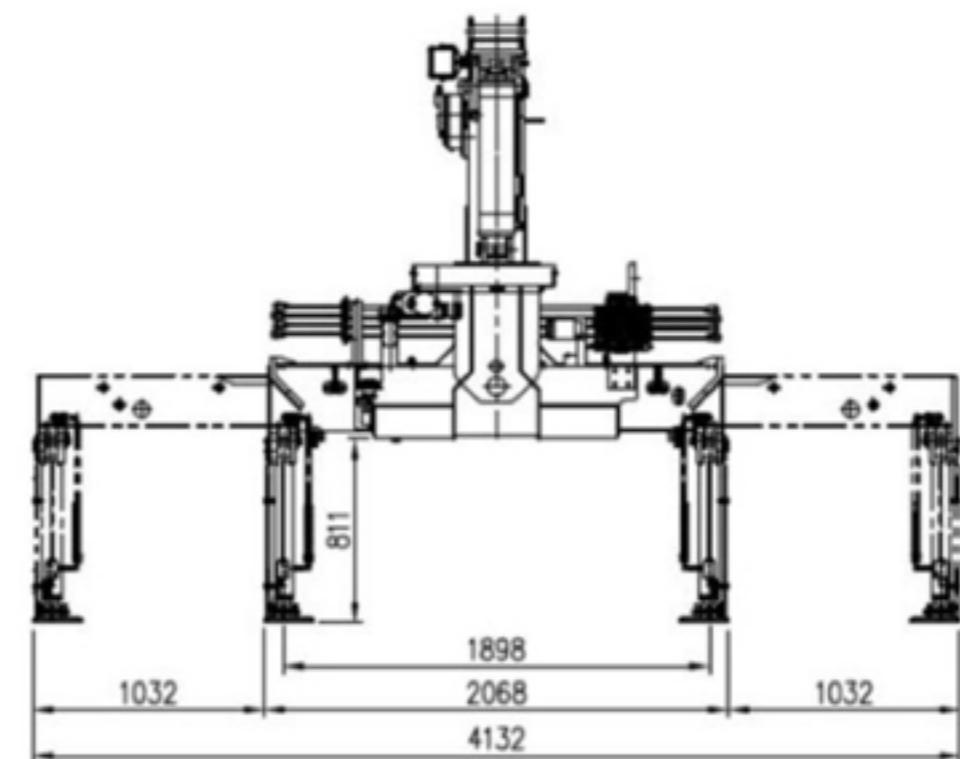


#### **WINCH**

- ❖ TYPE : SPUR GEAR REDUCTION & MECHANICAL BRAKE
- ❖ WIRE ROPE : DIA 8 X 70
- ❖ SAFETY DEVICE: HOOK SAFETY LATCH

#### **HYDRAULIC FLUIDS**

- ❖ RATED FLOW : 45L/MIN @ 1000RPM
- ❖ RATED PRESSURE : 210 KGF
- ❖ OIL TANK : 50L



#### **OUTRIGGER**

- ❖ OUTRIGGER NO. : 2 (MAIN:02)
- ❖ OUTRIGGER TYPE : MANUAL, VERTICAL BY HYDRAULIC
- ❖ MAX. SPAN : 4,127M

#### **SAFETY DEVICES**

- ❖ PRESSURE RELIEF VALVE
- ❖ COUNTER BALANCE VALVE
- ❖ PILOT-OPERATED CHECK VALVE
- ❖ BOOM ANGLE INDICATOR
- ❖ HOOK SAFETY LATCH
- ❖ MECHANICAL WINCH BRAKE
- ❖ EMERGENCY STOP SWITCH
- ❖ WARNING ALARM
- ❖ OVER-WINDING ALARM

#### **OPTION**

- ❖ AUTOMATIC MOMENT LIMITER
- ❖ STEEL BUCKET
- ❖ TEMPERATURE SENSOR
- ❖ OIL COOLER
- ❖ REAR OUTRIGGER
- ❖ OVER WINDING PREVENTION
- ❖ OVER LOADIND PREVENTION
- ❖ WIRE – SEPERATION PREVENTION



**Over center valve**

By high-quality over-center valve, durability is improved. Overload can be controlled by pressure switch.



**Hoist Winch**

For safety, automatic mechanical brake is equipped and running noise is small.



**Over-hoisting prevention device**

By wireless over-hoisting prevention device, it can prevent damage and breakdown of wire and reel.



**Top seat console (optional)**

Optimally & ergonomically designed top seat console guarantees all day comfort to operator.



**Slewing reduction gear**

For smooth but powerful operation, hydraulic internal brake and worm reduction gear are equipped.



**Main outrigger**

180° slewing type of main outriggers help protect against damage during the drive.



EVERDIGM

**HYUNDAI EVERDIGM CORP.**

1191, Chopyeong-ro, Chopyeong-myeon,  
Jincheon-gun, Chungbuj, Korea

**Tel:** 82 43 820 7071

**Fax:** 82 43 838 5353

**Web:** [www.hyundaieverdigm.com](http://www.hyundaieverdigm.com)

## SOLE DISTRIBUTOR



VISIT US AT THE FOLLOWING LOCATIONS

**Headquarter:**

**GLOBAL TECH CO-ORD LTD**

280A Whitton Avenue East Greenford  
Middx UB6 0JP London United Kingdom.

**Tel:** +44 (0) 20 3475 6819

**Fax:** +44 (0) 20 3475 6829

**Email:** [info@globaltcltd.com](mailto:info@globaltcltd.com)

**Web:** [www.globaltcltd.com](http://www.globaltcltd.com)

**United Arab Emirates Branch:**

**GLOBAL TECH CO-ORD FZC**

Block B - B11 - 145

SRTIP Free Zone Authority

Sharjah - U.A.E